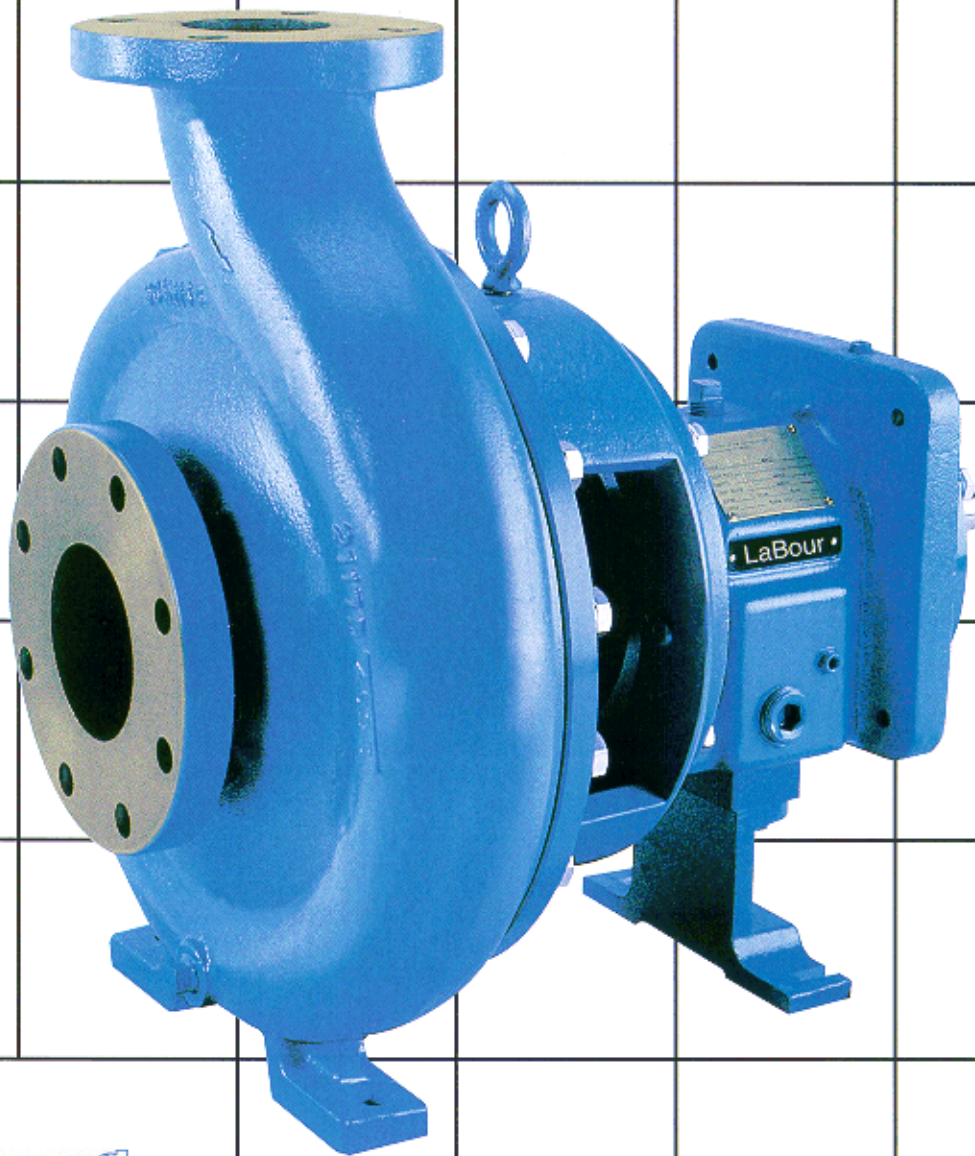


LaBour Pumps

ANSI STANDARD DIMENSION PUMP
SERIES LVB



LaBour
Taber 

LaBour Pumps Series LVB Process Pumps:

Standard Dimension ANSI Process Pumps:

The new LaBour Series LVB ANSI standard pumps are manufactured for a wide range of flow and head requirements and meet the latest ASME and ANSI B73.1M specifications. The LVB combines high efficiency, maximum performance, and extended mean time between failure for reduced maintenance cost.

Quality engineering, innovative design, rugged heavy duty construction, and customer commitment have made the LVB ANSI pumps the fastest growing chemical process pump line in the industry.

Materials of Construction

- Ductile Iron ▪ 316SS ▪ R55
- A48 ▪ 317SS ▪ Monel
- Elcomet K ▪ Y30 and Y17
- Nickel ▪ Titanium ▪ Zirconium

Certified Hydraulic Performance

- Capacities to 4500 gallons per minute
- Heads to 730 feet TDH

Construction Features: Series LVB

► **CASING:** Self venting, top centerline discharge with a fully confined gasket. Heavy duty back pull out design. Class 150 lb. FF flanges standard, optional Class 150 lb. RF and both FF and RF Class 300 lb. available.

► **CASING WEAR EXTENDER™:** A removable and replaceable plate that protects the casing against wear. It can be provided in wear resistant materials, such as A48. Sealed from the liquid on its

outside diameter by an O-ring and by a gasket at the suction joint, the Wear Extender is secured by studs and is furnished with jack bolts for easy removal. This option is available on all XLTP frame sizes and selected MTP sizes.

► **IMPELLER:** Fully open design significantly reduces clogging. Integral back pump out vanes reduce stuffing box pressure, prolonging mechanical seal life. Impeller and casing are matched to achieve high efficiency and low NPSH. Sealed by a Teflon* O-ring, the threaded area is protected against corrosion. All impellers are dynamically balanced and are available in the keyed and bolted design.

► **BEARING FRAME:** Heavy duty cast iron construction (ductile iron on STP frame sizes). Designed with enlarged oil reservoir for better dissipation of heat and bulls-eye sight glass for easy monitoring. VBX bearing isolator labyrinth seals by Inpro, designed especially for Sterling, provide both static and dynamic sealing using contact technology to positively seal at shutdown, yet operate without contact while running. Precision alignment is assured by dowel pins placed between frame and adapter. Water cooling available on all models with corrosion resistant fin tube heat exchanger for maximum oil protection at high temperatures. Standard C Face flanges on STP, MTP, and LTP sizes accommodate C Face motors to eliminate alignment problems. Bearing frame also includes bosses for vibration and temperature monitoring devices.

► **BEARINGS:** Inboard bearing is deep groove, single row. This bearing carries only radial load,

is pressed on the shaft and free to float axially in the frame. Outboard bearing is angular contact deep groove, double row. Shouldered outboard bearing is locked on the shaft with a lock nut and washer and secured in the bearing housing by a snap ring. This bearing carries the radial and any unbalanced thrust load. Bearing fits are precision bored and all bearings meet or exceed minimum ANSI L10 of 17,500 hours.

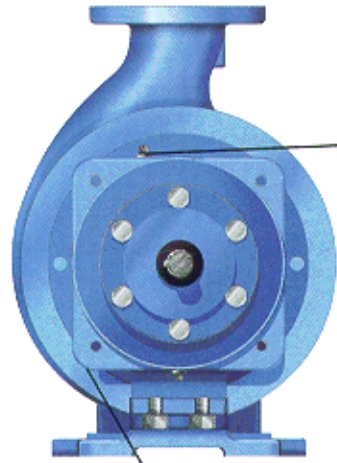
► **SHAFT:** Designed to ANSI standards, maximum .002" deflection at seal chamber face. Shaft is available with sleeve or in solid shaft construction.

► **SHAFT SLEEVE:** Renewable shaft sleeve positively driven, hook type with a free end for expansion under varying temperatures. Leakage under the sleeve is prevented by a Teflon* O-ring.

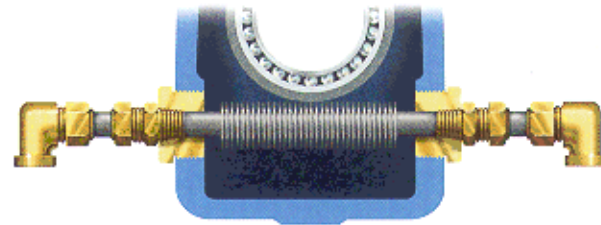
► **FRAME ADAPTER:** Ductile iron for improved strength, safety, and durability. Fully machined rabbet fit to seal chamber/stuffing box cover. The adapter on 6" and 8" STP sizes is designed integrally with the bearing frame.

► **SEAL CHAMBER/STUFFING BOX COVER:** Three options available all of which meet the latest ANSI specifications. Large bore seal chamber available on all pumps furnished with mechanical seal. Standard bore stuffing box cover available on all pumps and will accommodate both mechanical seals and packing. Self venting and draining taper bore seal chamber also available on all sizes.

* Teflon is a registered trademark of E.I. DuPont.

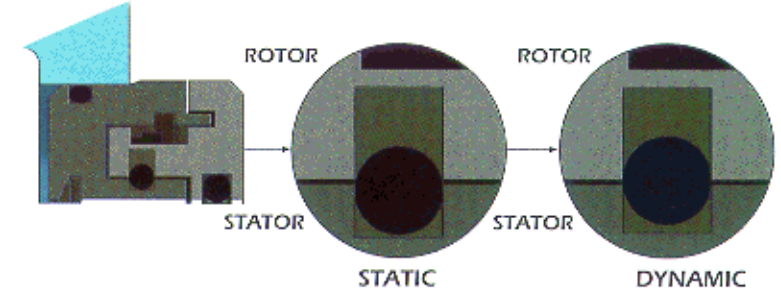


Pre-Drilled Access for Optional Lubrication Styles: Oil lube standard. Options allow for field conversion to grease or oil mist with minimum effort.



Finned Tube Oil Cooler: Field installed option for high temperature applications. Can be installed without disassembly of the power frame.

VBX Bearing Isolators: Labyrinth seals protect bearings from environmental contamination in both static and dynamic modes.

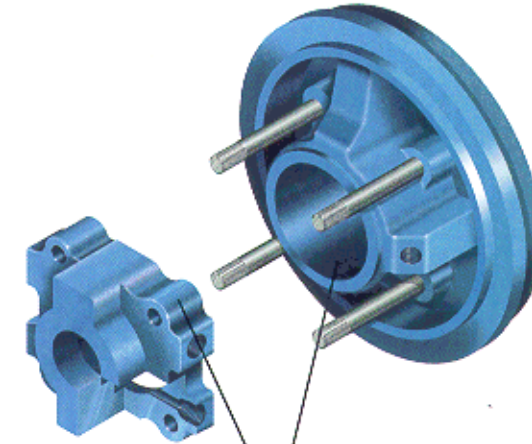


Standard C Face Flange: Allows use of C Faced motors to ensure proper shaft alignment and reduce space requirements.

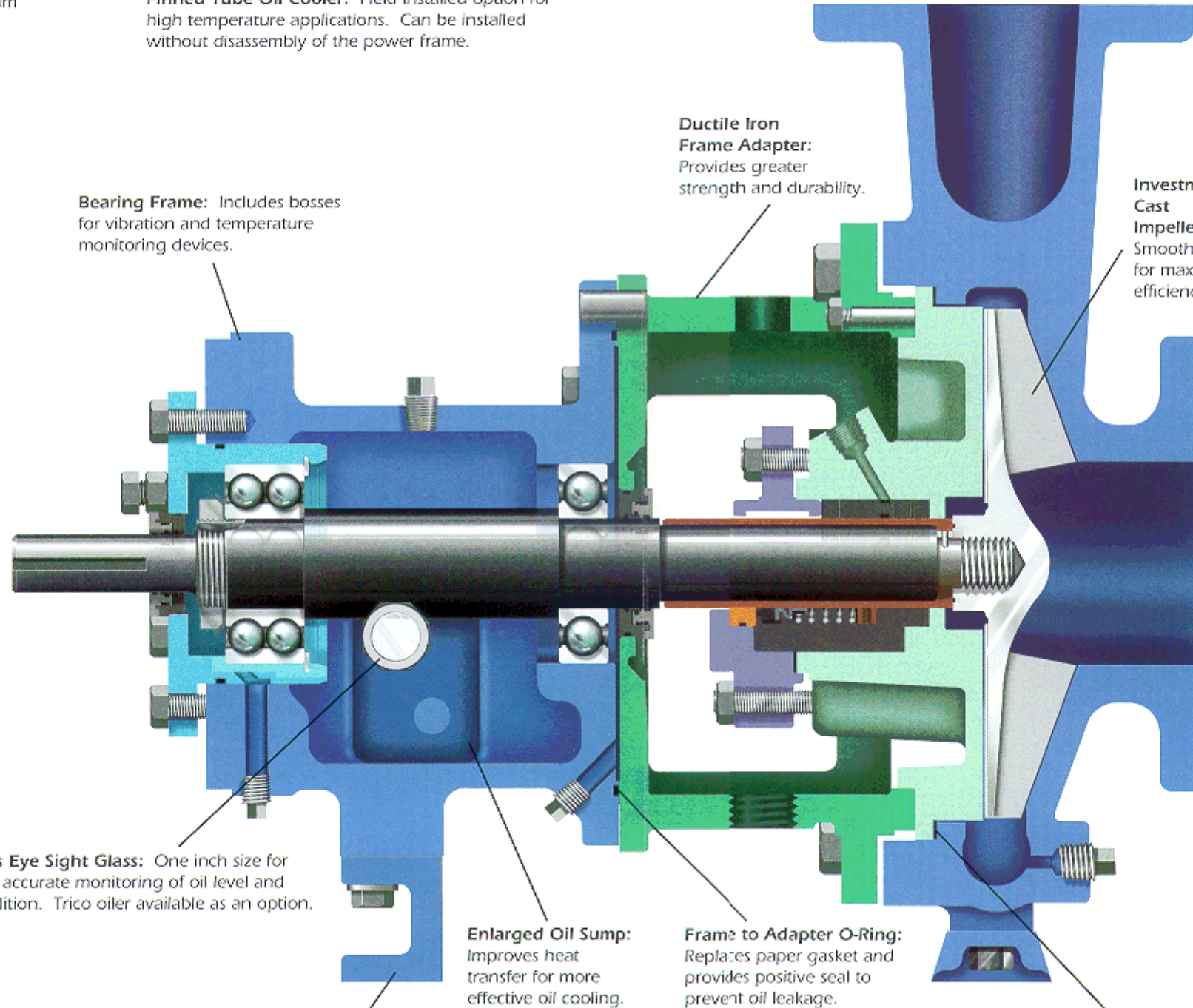
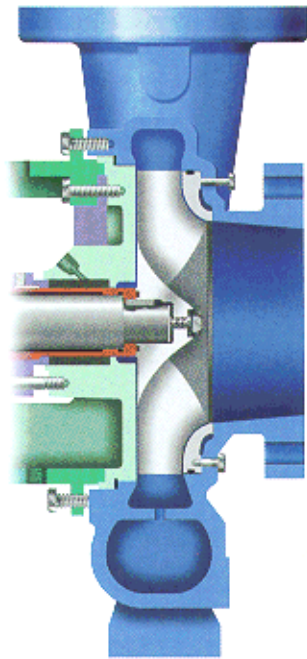
Bearing Frame: Includes bosses for vibration and temperature monitoring devices.

Ductile Iron Frame Adapter: Provides greater strength and durability.

Investment Cast Impeller: Smooth finish for maximum efficiency.



Large Bore Seal Chamber and Seal Gland: Meets latest ANSI B73.1M specifications. Improves cooling and lubrication of seal faces for extended life.



Bulls Eye Sight Glass: One inch size for easy accurate monitoring of oil level and condition. Trico oiler available as an option.

Enlarged Oil Sump: Improves heat transfer for more effective oil cooling.

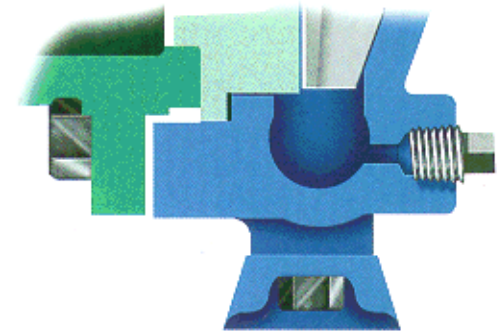
Frame to Adapter O-Ring: Replaces paper gasket and provides positive seal to prevent oil leakage.

Fully Confined Gasket: For positive seal.

Rigid Frame Foot: Reduces effects of pipe strain on shaft alignment.

OPTIONS:
Keyed and Bolted Impeller/Wear Extender: Keyed and bolted impellers available on all 23 sizes. Provides a positive lock which prevents the impeller from detaching from the shaft during accidental reverse rotation. Removable wear plate reduces maintenance costs on tough abrasive applications.

All Series LVB power ends carry a full 3 year warranty.



Casing Drain: Standard on all Ductile Iron and 316SS casings, optional on all other alloys.

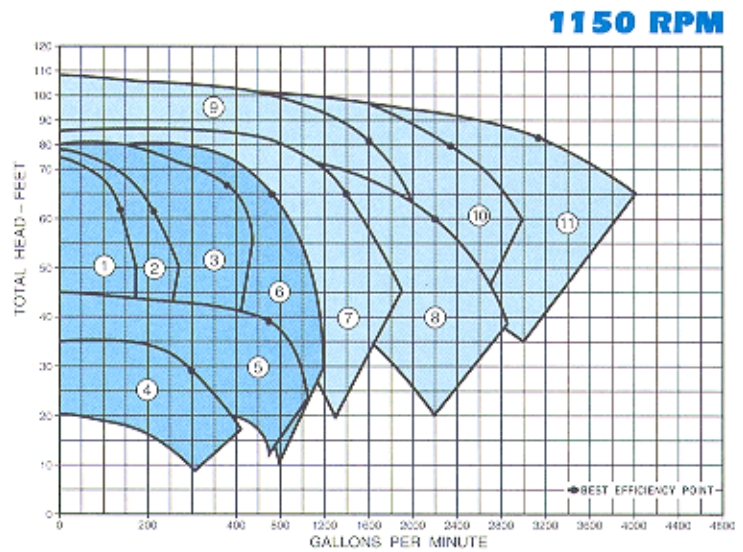
Performance Range:

LaBour Pumps Series LVB

Range Finder Key

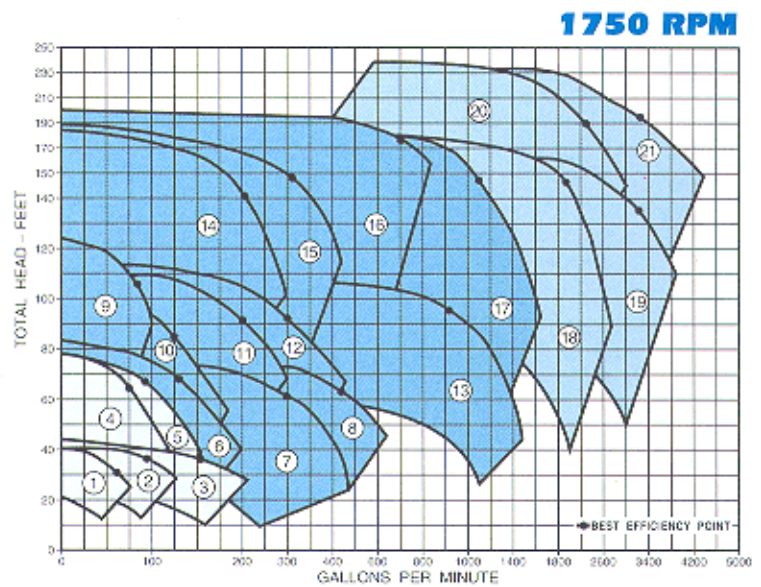
► 1150 RPM

1. 1½x3-13 MTP (A20)
2. 2x3-13 MTP (A30)
3. 3x4-13 MTP (A40)
4. 3x4-8 MTP (A70)
5. 4x6-10 MTP (A80)
6. 4x6-13 MTP (A80)
7. 6x8-13 XLTP (A90)
8. 8x10-13 XLTP (A100)
9. 6x8-15 XLTP (A110)
10. 8x10-15G XLTP (A120)
11. 8x10-15 XLTP (A120)



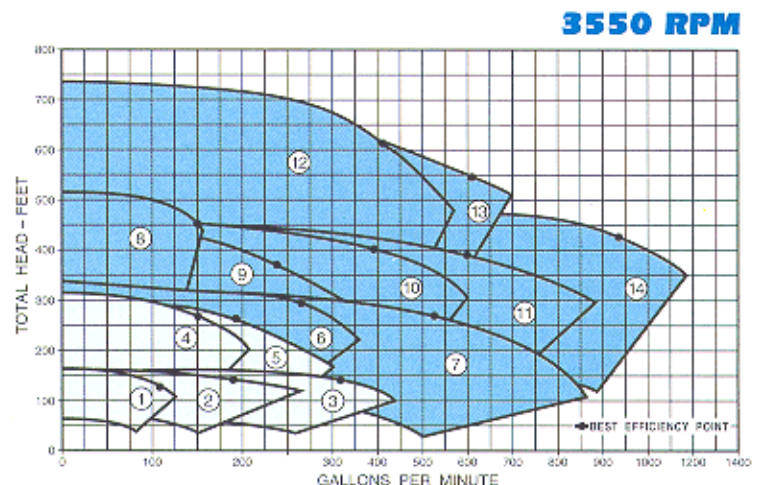
► 1750 RPM

1. 1x1½-6 STP (AA)
2. 1½x3-6 STP (AB)
3. 2x3-6 STP (-)
4. 1x1½-8 STP (AA)
5. 1½x3-8 STP (AB)
6. 2x3-8 MTP (A60)
7. 3x4-8G MTP (A70)
8. 3x4-8 MTP (A70)
9. 1x2-10 MTP (A05)
10. 1½x3-10 MTP (A50)
11. 2x3-10 MTP (A60)
12. 3x4-10 MTP (A70)
13. 4x6-10 MTP (A80)
14. 1½x3-13 MTP (A20)
15. 2x3-13 MTP (A30)
16. 3x4-13 MTP (A40)
17. 4x6-13 MTP (A80)
18. 6x8-13 XLTP (A90)
19. 8x10-13 XLTP (A100)
20. 6x8-15 XLTP (A110)
21. 8x10-15G XLTP (A120)



► 3550 RPM

1. 1x1½-6 STP (AA)
2. 1½x3-6 STP (AB)
3. 2x3-6 STP (-)
4. 1x1½-8 STP (AA)
5. 1½x3-8 STP (AB)
6. 2x3-8 MTP (A60)
7. 3x4-8G MTP (A70)
8. 1x2-10 MTP (A05)
9. 1½x3-10 MTP (A50)
10. 2x3-10 MTP (A60)
11. 3x4-10 MTP (A70)
12. 1½x3-13 MTP (A20)
13. 2x3-13 MTP (A30)
14. 3x4-13 MTP (A40)



[] Denotes ANSI Designation



VERTICAL

Designs ideal for a wide range of applications from water to process liquids — or even molten materials.

1000 Series: Single Stage
Center-Line Casing

2000 Series: Two Stage

3000 Series: Triple-Throat,
Tangential Discharge

8000 Series: Triple-Throat,
Center-Line Discharge

9000 Series: Cantilever



HORIZONTAL

A range of models for transfer, circulation, or process applications designed to handle a wide range of liquids from water to acids.

Alpha Series (LVA): ANSI Standard, Back Pull-Out
Tri-Alpha Series (TFA): ANSI Standard, Triple-Throat

DPL/DHL Series:
Self-Primer, Valve-Less

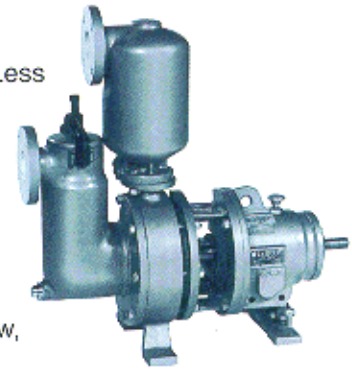
LPL/LHL Series:
Self-Primer,
Back Pull-Out

G Series:
Packing-Less,
Self Primer

DZT Series: Low-Flow,
Concentric Casing

Q Series: Triple-Throat

MHL/MPL Series:
Metallic, Self-Primer



OPTIONS

The following accessories are available:

Dry Run Protector

- Minimize Potential Pump Damage
- Adjustable Current Settings
- Adjustable Time Delay

Non-Metallic ANSI

Base Plate

- Corrosion Resistant Materials
- Positive Equipment Mounting
- ANSI Standard Dimensions

Ease-Align™

- No Motor Bolt Binding
- Use with All LaBour Base Plates
- Range of Sizes & Materials

Large Bore Stuffing Box

- Better Flushing of Solids
- Greater Heat Transfer
- Available: Straight, Tapered or Stepped

Shaft Sleeve

- Replaceable Hook Sleeves Simplify Seal Changes
- Save Money in Services such as Slurries

Labyrinth Oil Seal

- Prevents Contaminants from Entering Bearing Housing



LaBour Pumps

P.O. Box 7026 • Indianapolis, IN 46207-7026
Phone: (317) 925-9661 • Fax: (317) 920-6605